

Laguna Seca Shooting Sports Association
Steel Challenge Match SOP
Date of Adoption 02/19/2012

1. **Competitor Eligibility** -- All competitors with proper firearms and safety equipment are eligible to participate in steel challenge matches.
2. **Match Director** -- The Match Director will have full charge of the range and will conduct the match on scheduled dates. He is responsible for range safety and the enforcement of all rules.
3. **Range Officer** -- The range officer is responsible for the safety of range personnel, competitors and spectators in the sector of the range he has been assigned. His duties include:
 - a) Calling up competitors to the firing line.
 - b) Checking firearms to make sure they are unloaded and safe.
 - c) Give necessary range commands.
 - d) Is responsible for the accurate recording of shots and scoring results.
 - e) Receives protests and passes them on to the Match Director.
4. **Safety** -- The following safety violations will be grounds for an automatic disqualification from the match.
 - a) Pointing a firearm up range (breaking the 180 degree line).
 - b) Dropping a firearm, whether loaded or unloaded, at any time during the course of fire.
 - c) Leaving the firing line with a loaded firearm, or possession of a loaded firearm anywhere other than on the firing line.
 - d) Picking up a dropped firearm except under the direction of a Range Office or Match Director.
 - e) Sweeping or pointing the muzzle of a firearm at any part of any persons body.
 - f) Moving (taking more than one step) with finger inside of trigger guard.
 - g) Accidental discharge while loading, unloading, reloading or lowering the hammer; any shot fired into the ground within 10 feet of the contestant.
 - h) Displays disruptive behavior or is abusive (verbal or otherwise) towards the Match Director, Range Officers, another competitor or spectator.
 - i) Competitor not familiar in the safe operation of their firearm.

The Steel Challenge matches function on a “**cold range**”. All firearms will be kept unloaded except on the firing line under the direct supervision of a Range Officer.

5. **Course of Fire** -- The Steel Challenge consists of eight stages. Each stage consists of five targets referred to as plates. Four are standard plates and the fifth is designated as the stop plate. Each of the standard targets must be hit at least once before hitting the stop plate. See Appendix A for stage layout.

Laguna Seca Shooting Sports Association
Steel Challenge Match SOP
Date of Adoption 02/19/2012

6. **Start Position** -- The start position is standing in a shooter box with both feet on the ground. When the competitor is ready, they will assume the required start position to indicate their readiness to the Range Officer.
- a) In centerfire competition, hands are held in the "surrender position" with wrists and hands above shoulders.
 - b) In the Rimfire Match, there will be a aiming point (flag) centered ten feet downrange directly in front of each shooters box. While waiting for the start signal, the competitor must be pointing their gun at the flag with the finger outside the trigger guard.
7. **Range Commands** -- The range officer will direct the shooter using the following commands:
- a) **Load and make ready** -- the shooter may now load their firearm and assume the starting position as defined in the course of fire.
 - b) **Are you ready** -- The Range Officer asks if the shooter is prepared to proceed. If the shooter is not ready to proceed, it is the shooters responsibility to inform the Range Officer that they are not prepared. When the shooter does not respond negatively to the question, the Range Officer will assume the shooter is ready.
 - c) **Stand by** -- This is the verbal signal given by the Range Officer to the shooter that the start signal will follow within 1 to 4 seconds.
 - d) **Start signal** -- The signal for the shooter to start the course of fire. The signal will be an audible signal from a electronic timing device.
 - e) **If you are finished, unload and show clear** -- The shooter will unload and hold firearm in a position that allows the Range Officer to confirm the firearm is unloaded.
 - f) **If clear, hammer down and holster** -- If the gun proves to be clear, the competitor must holster or bag their firearm.
 - g) **Range is clear** -- This command signifies the end of the stage. Once the declaration is made, Range Officers may move forward to score and paint targets.
 - h) **Stop** -- This command is given at any time. The competitor must immediately cease firing, stop moving and wait for further instruction from the Range Office.
8. **Scoring** -- Steel challenge scoring is your time is your score. Each of the standard targets must be hit at least once before hitting the stop plate, and the time stops when the stop plate is hit. Shooters may fire as many rounds as necessary for each string of fire. The worst string on each stage will be thrown out and the total remaining time will be the competitors score for the stage. Total score for all stages will determine the competitors match score.

Laguna Seca Shooting Sports Association
Steel Challenge Match SOP
Date of Adoption 02/19/2012

The maximum time allowed for an individual string is 30 seconds. Any hit made after the maximum time allowed will not be counted.

The maximum score for any string is 30 seconds, no matter how many misses or penalties.

Any standard plate which has not been hit before the stop plate will count as a miss. Each miss on a standard plate will result in a 3 second penalty.

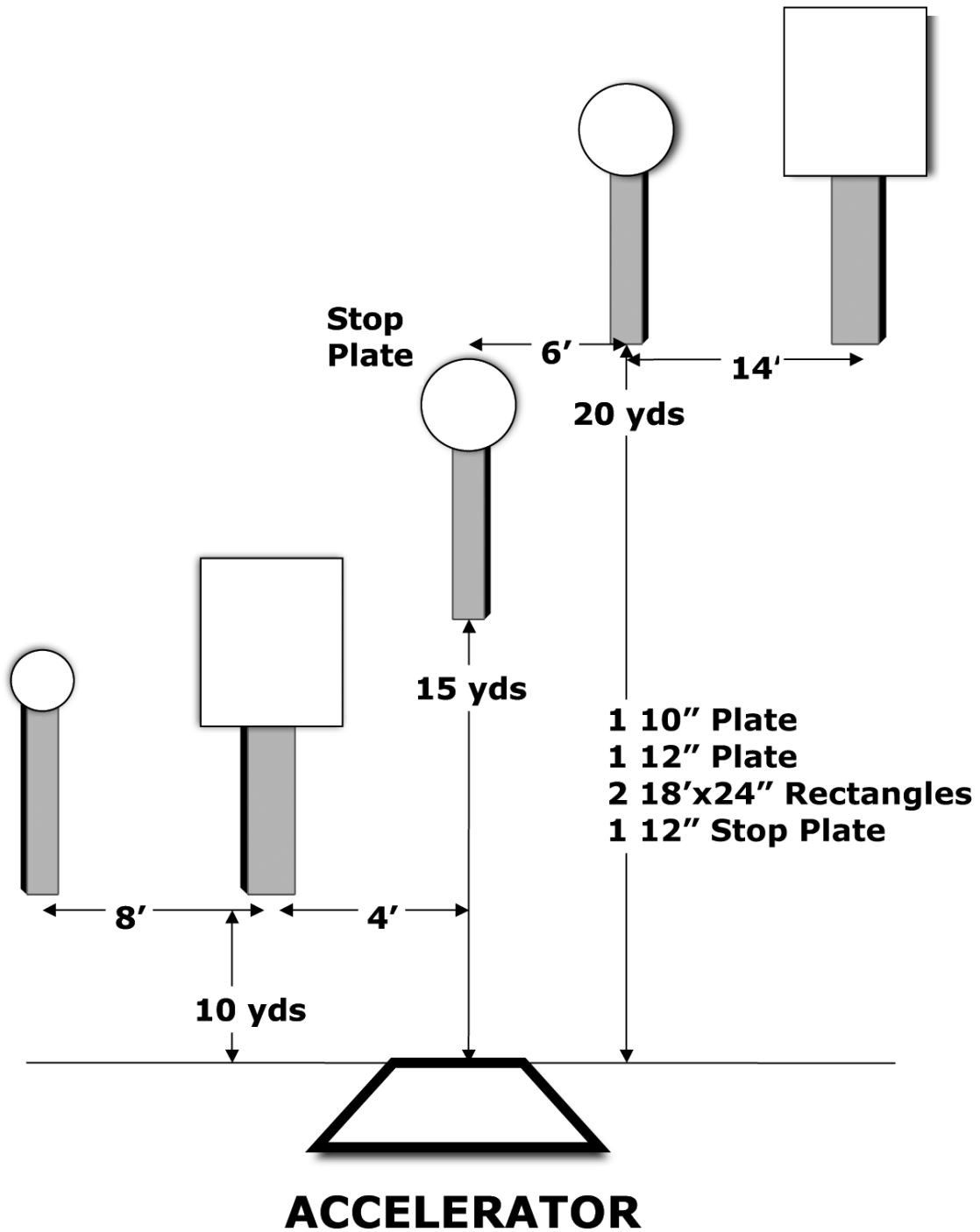
If the stop plate is not hit, the score for that string is 30 seconds.

9. Firearms, Equipment and Ammunition

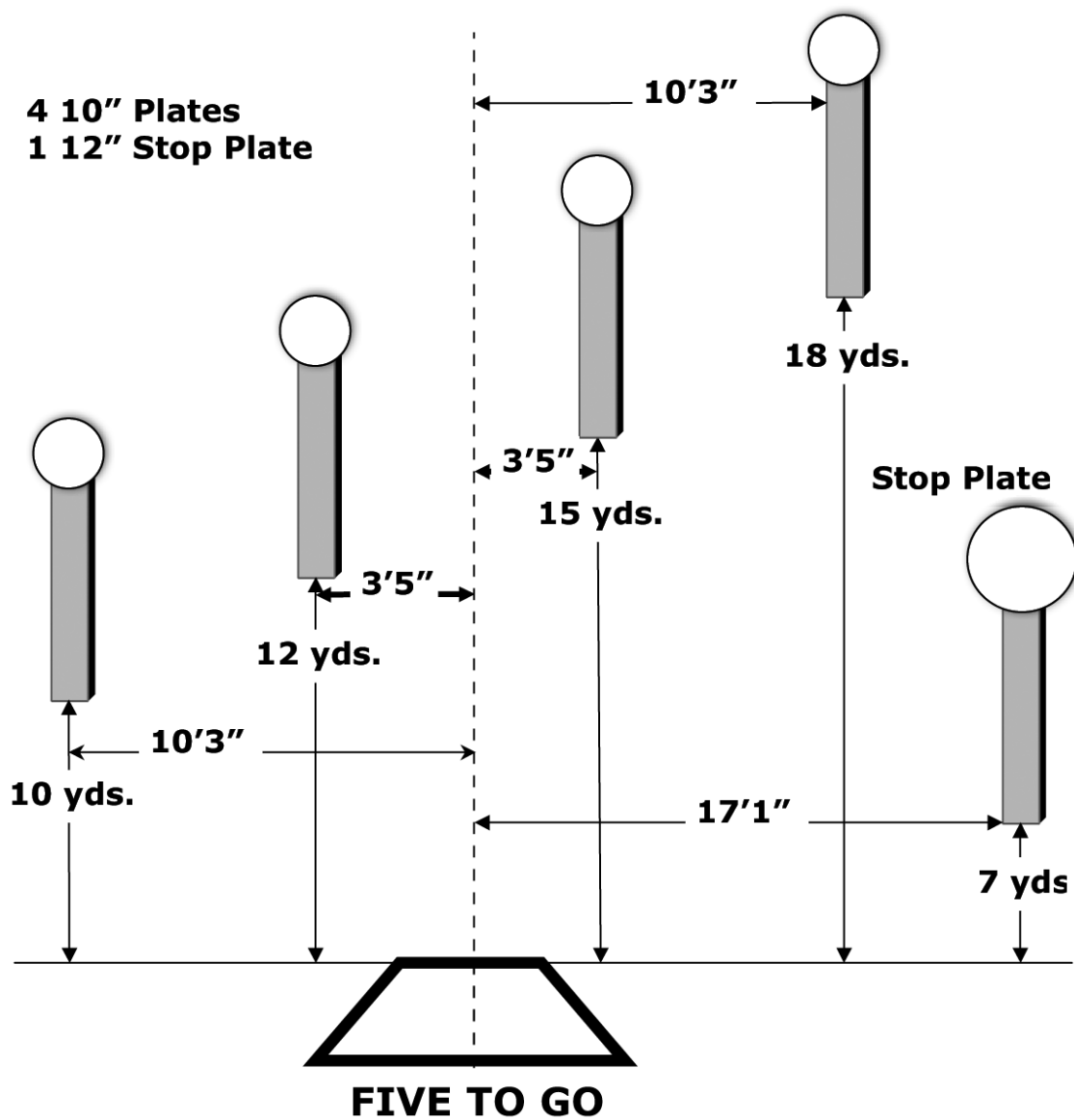
- a) **Firearms** -- Any center fire semi-automatic handgun or revolver. all handguns used in competition shall be serviceable and safe.
- b) **Rimfire Firearms** -- Any semi-automatic handgun or revolver chambered for .22 rim fire ammunition, which is serviceable and safe.
- c) **Ammunition** -- Handloads may be used. Any ammunition used must be loaded within safe limitations for the handgun to be used. The minimum cartridge for centerfire firearms is 9mm. Any ammunition deemed unsafe or likely to damage the targets will be prohibited.
- d) **Rimfire Ammunition** -- Any .22 caliber rimfire ammunition that may be fired without danger to competitors, range personnel or equipment is permitted.
- e) **Ear Protection** -- All competitors and other personnel in the immediate vicinity of the firing line are required to wear ear plugs, ear muffs or similar ear protection. Individuals observed without ear protection will be required to leave the shooting area.
- f) **Eye Protection** -- All competitors and other personnel anywhere on the range are required to wear eye protection. Individuals observed without eye protection will be required to leave the range.
- g) **Holsters** -- Holsters shall be mounted in the general vicinity of the waist, must cover the trigger and must safety retain the gun. Western style holsters used for single action revolvers are not required to cover the trigger, however, the handgun must start with the hammer down. Serpa system holsters are prohibited.
- h) **Equipment Change** -- No change in equipment (gun, holster or holster position) is permitted without the approval of the Match Director. Making changes without approval, the competitor will be disqualified.

Note: These rules should be considered as guidelines only and are subject to change by the Match Director if necessary in the interest of safety, sportsmanship or other consideration.

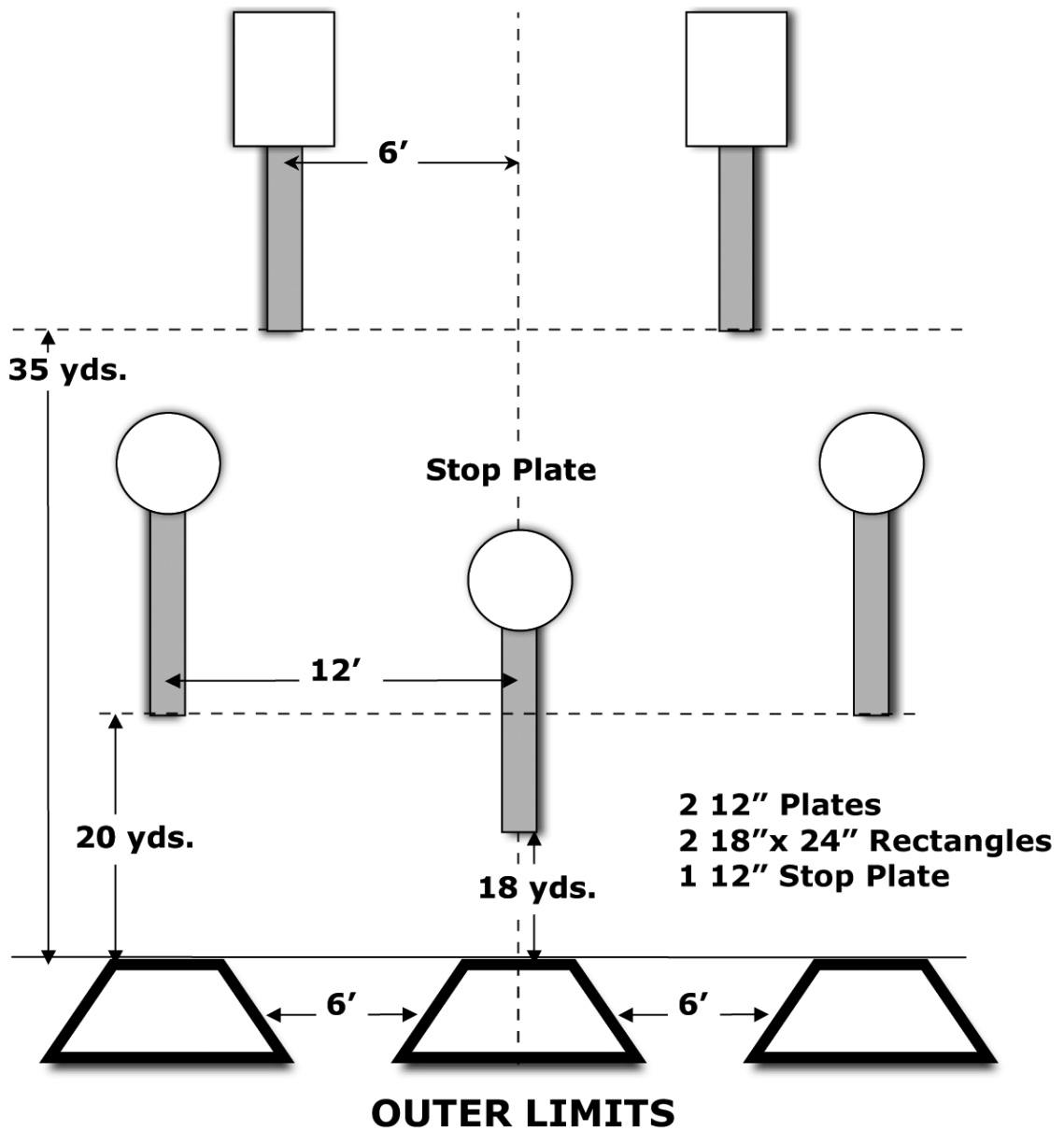
Laguna Seca Shooting Sports Association
Steel Challenge Match SOP
Date of Adoption 02/19/2012



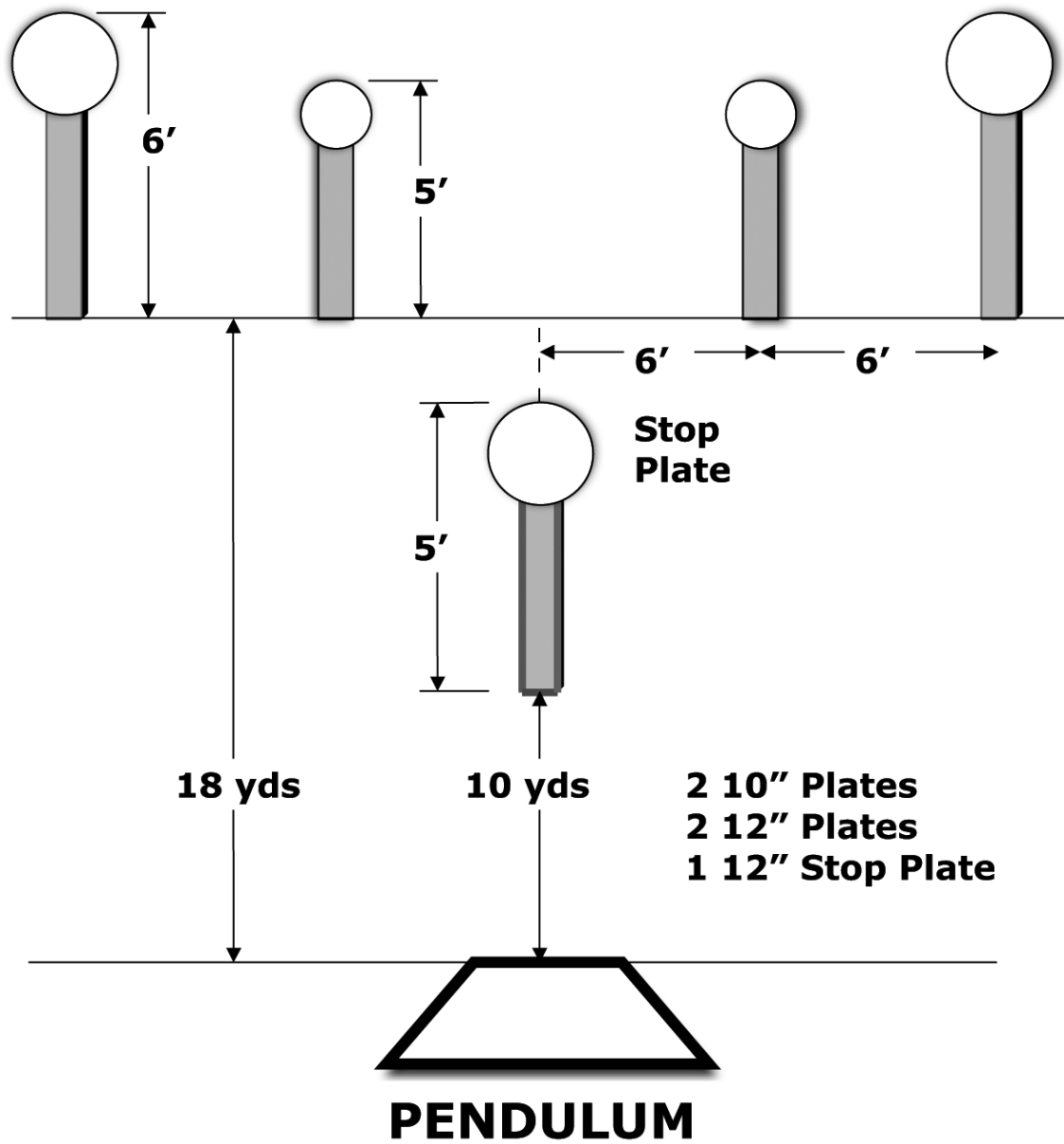
Laguna Seca Shooting Sports Association
Steel Challenge Match SOP
Date of Adoption 02/19/2012



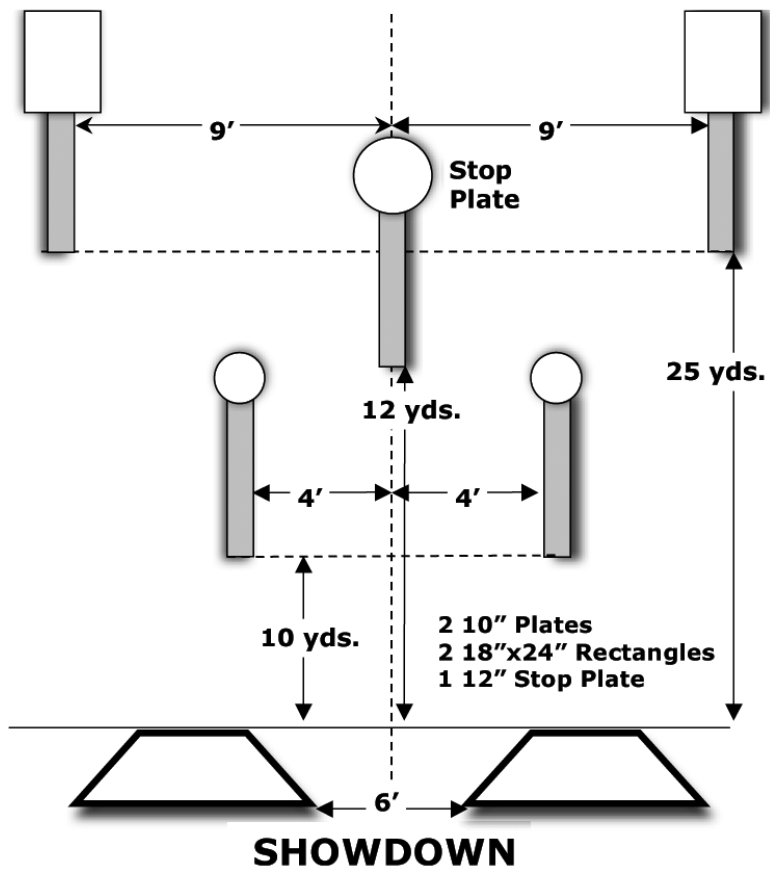
Laguna Seca Shooting Sports Association
Steel Challenge Match SOP
Date of Adoption 02/19/2012



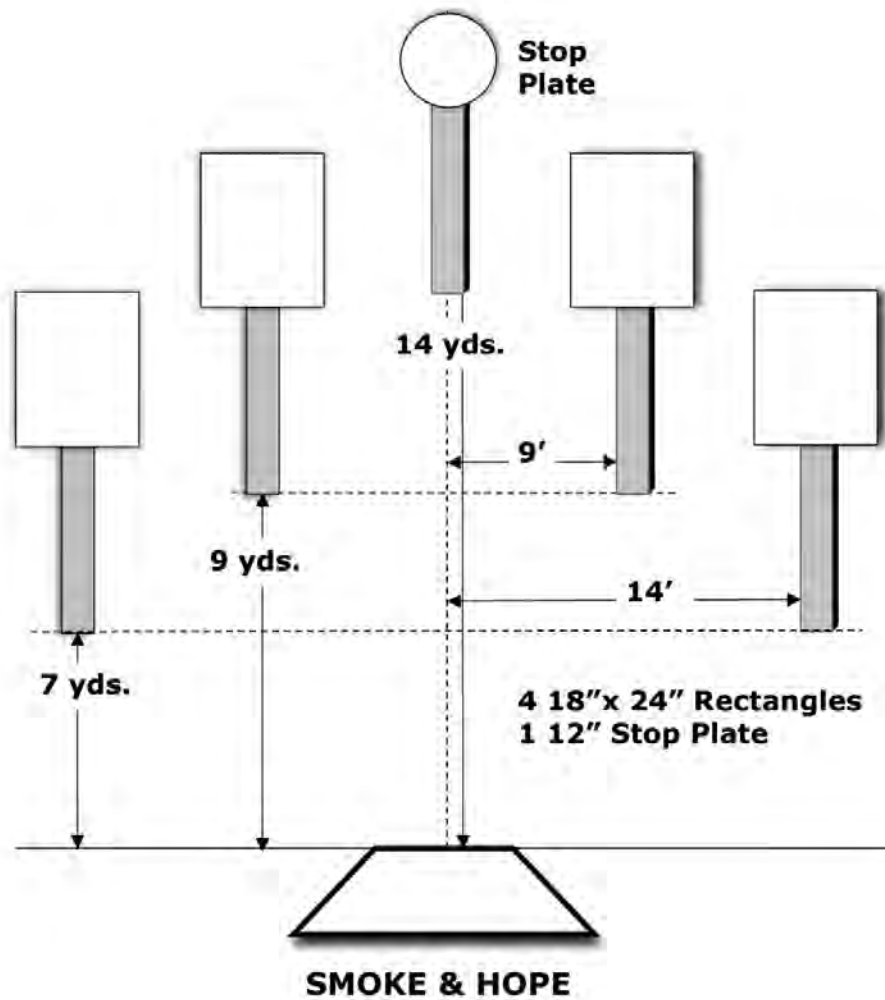
Laguna Seca Shooting Sports Association
Steel Challenge Match SOP
Date of Adoption 02/19/2012



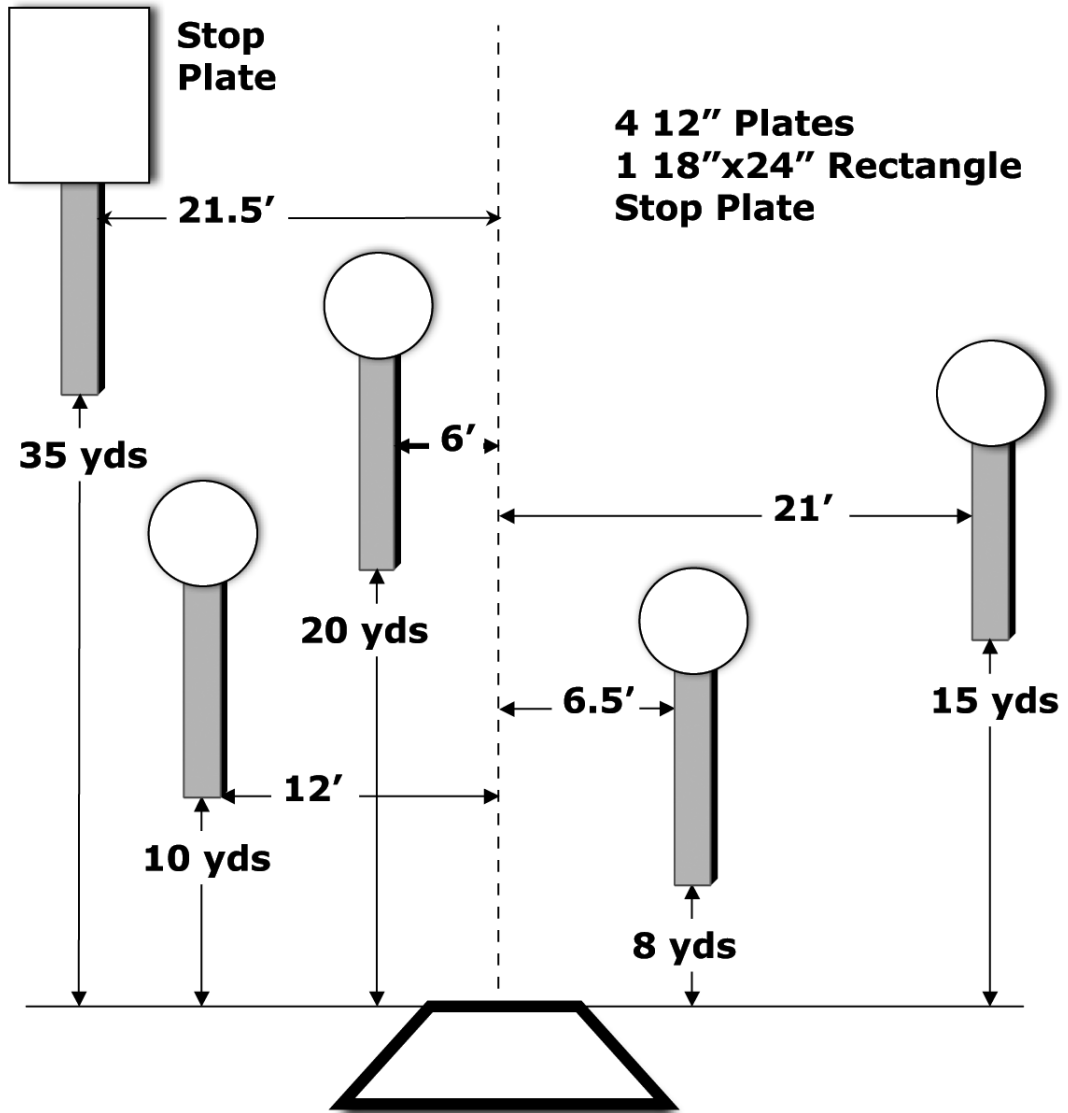
Laguna Seca Shooting Sports Association
Steel Challenge Match SOP
Date of Adoption 02/19/2012



Laguna Seca Shooting Sports Association
Steel Challenge Match SOP
Date of Adoption 02/19/2012



Laguna Seca Shooting Sports Association
Steel Challenge Match SOP
Date of Adoption 02/19/2012



SPEED OPTION

Laguna Seca Shooting Sports Association
Steel Challenge Match SOP
Date of Adoption 02/19/2012

